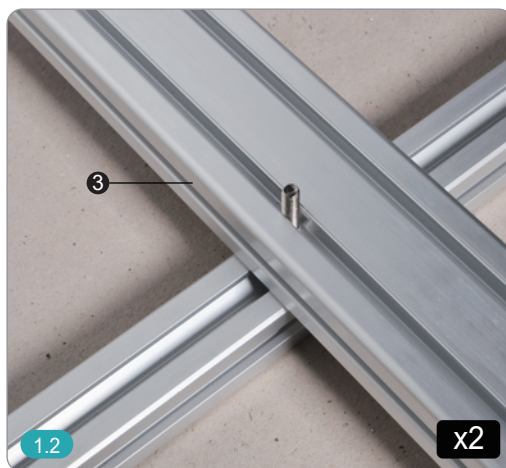
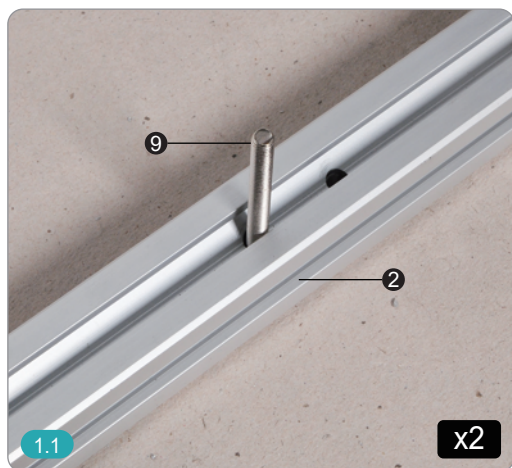
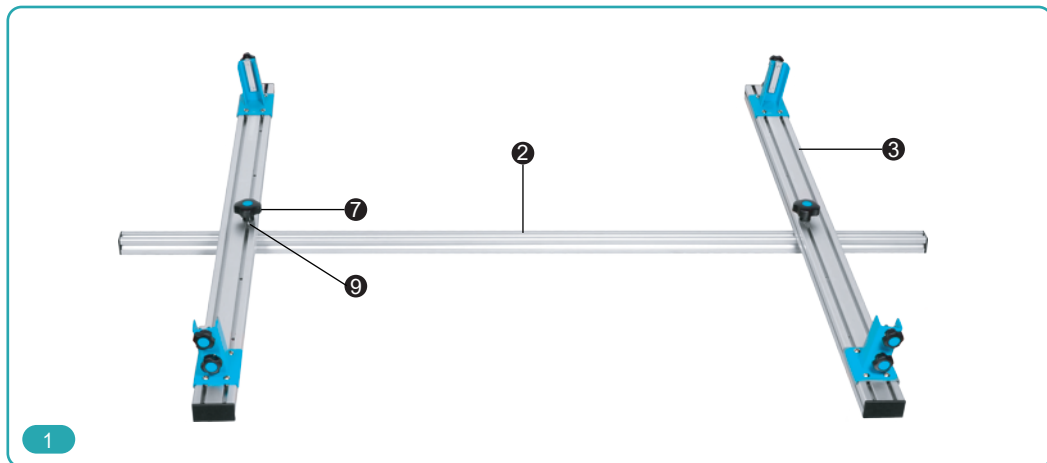


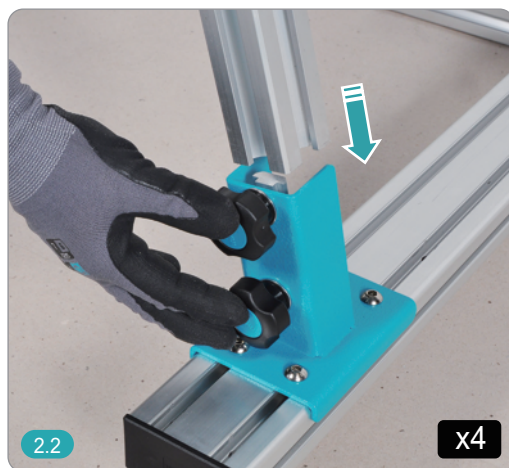
Working Bench

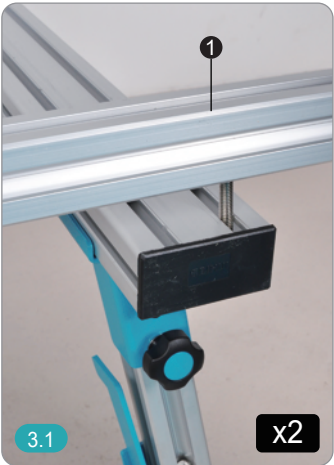
- ✓ Table size 1.8x1.4M
- ✓ Maximum load 200Kg (441 lbs)
- ✓ Suitable for tile size upto 3.6x1.4M after 2 tables joint together

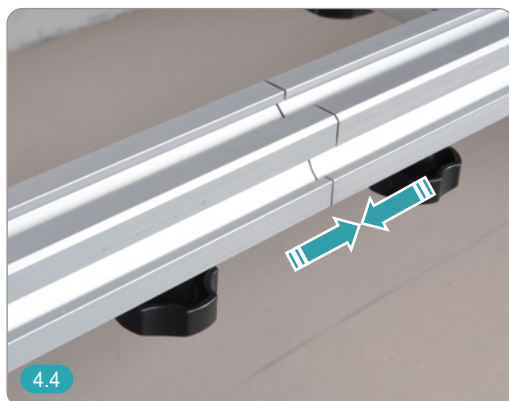
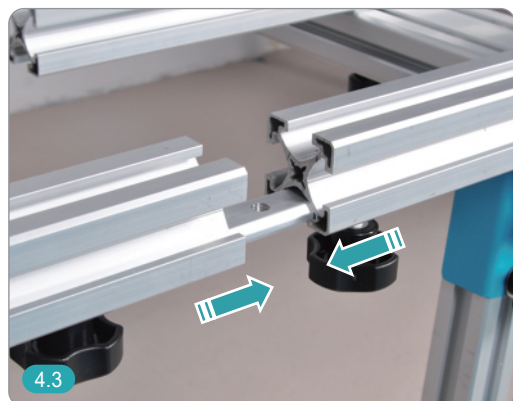
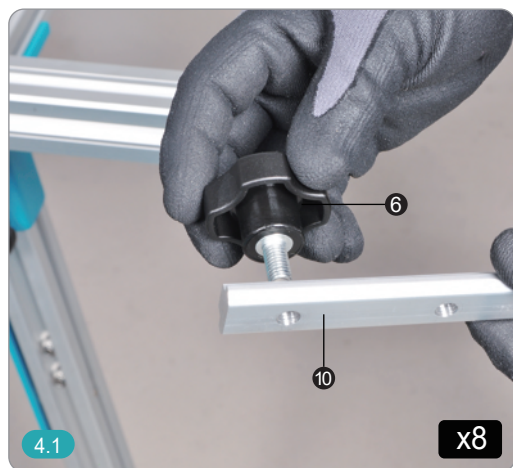
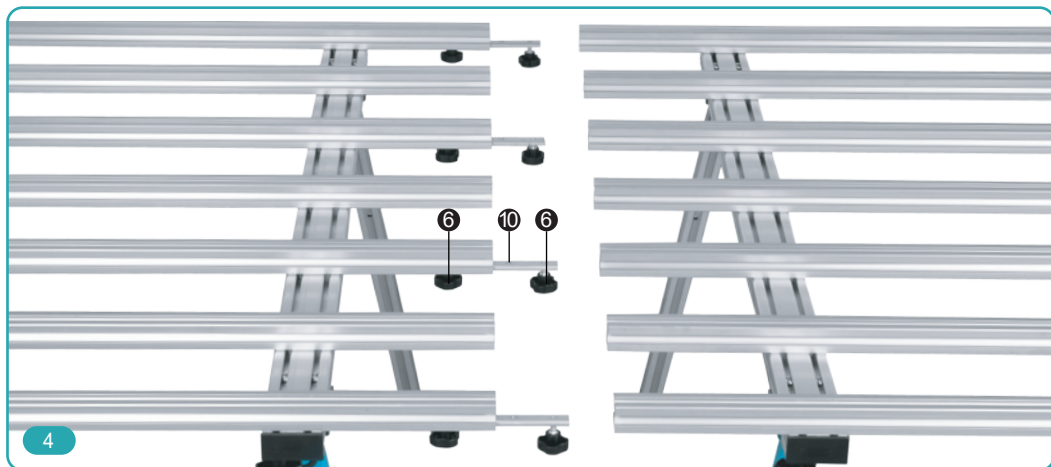




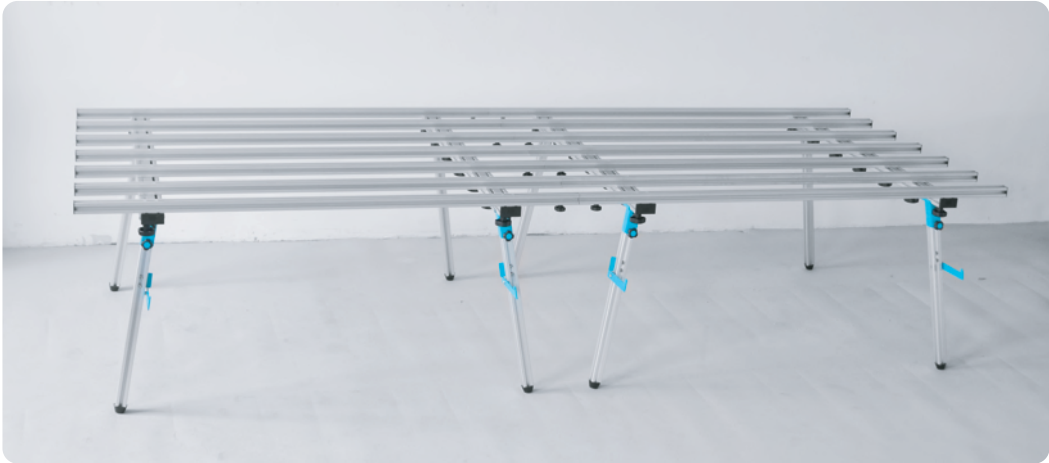








COMBINED WORKING TABLE



OPTIONAL FOR CUTTING PURPOSE





www.bihuitools.com